

**For Residential and Commercial Applications**

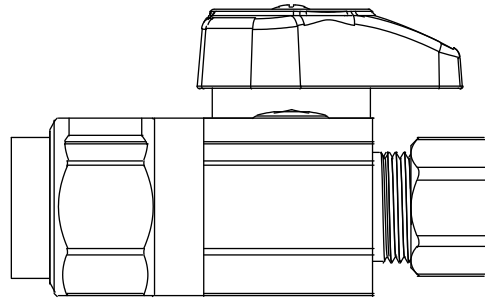
Job Name		Engineer / Architect	
Job Location		Wholesaler	
Submittal Date		Contractor	

## G2PS14X 1/4 Turn Push Connect Straight Stop - Compression Outlet

**Use:** For use with water in accessible locations only. Not intended for recirculating systems that produce continuous use temperatures above 115° F. For those applications, use our KT™ series ball stop.

**Design Features:**

- **Compatible with PEX, copper, and CPVC.**
- **Pre-inserted tube stiffener** is “installation ready” for a faster connection
- **Compact machined** one-piece body design
- **Fast, reliable, secure**
- **Smooth 1/4 turn operation**
- **100% leak tested**
- **100% Compliant**



**Operating Specifications:**

**Temperature:** 40° - 140° F  
**Pressure:** 125 PSI maximum



<b>STOP MATERIAL SPECIFICATIONS</b>	
<b>Body</b>	<i>Compliant brass</i>
<b>Stem Barrel</b>	<i>Santoprene</i>
<b>Stem Shaft</b>	<i>Glass-filled polypropylene</i>
<b>Stem O-ring</b>	<i>EPDM</i>
<b>Gripper Ring</b>	<i>Stainless steel</i>
<b>Push connect O-ring</b>	<i>EPDM</i>
<b>Tube Stiffener</b>	<i>POM</i>
<b>Removal Collet</b>	<i>Glass-filled nylon</i>
<b>Handle</b>	<i>Zinc, die-cast</i>
<b>Screw</b>	<i>Steel, Zinc-plated</i>
<b>Compr Nut &amp; Sleeve</b>	<i>Brass</i>

*This specification and all information contained herein is the confidential and exclusive property of BrassCraft Manufacturing, and shall not be disclosed to others without the written consent of BrassCraft Mfg. This specification must be returned to BrassCraft Mfg if requested.*

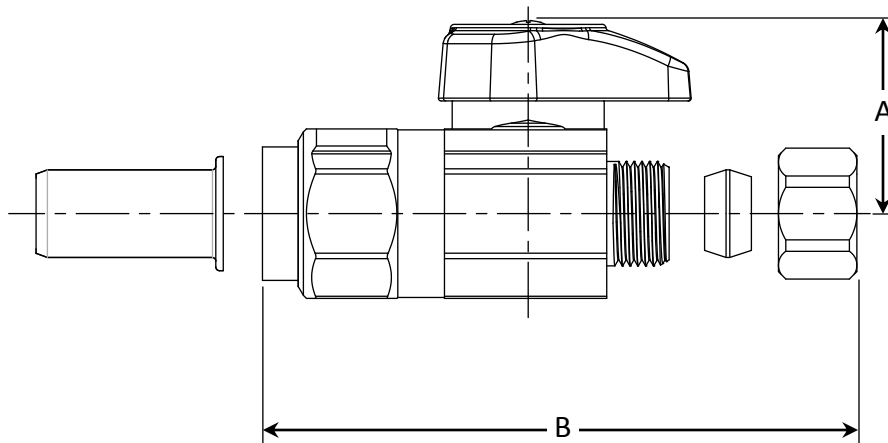


# G2PS14X 1/4 Turn Push Connect Straight Stop - Compression Outlet

**Compliant Part Listing:**

G2PS14X C      1/2" nom push connect x 3/8" OD compression, chrome plated

<b>PART DIMENSIONS (Inches)</b>		
<b>Model</b>	<b>DIM. A</b>	<b>DIM. B</b>
G2PS14X	1.03	2.45



**Listings & Certifications:**

- IAPMO listed to ASME A112.18.1 / CSA B125.1 and ASSE 1061 (File # 0645)
- CSA listed to ASME A112.18.1 / CSA B125.1 and ASSE 1061 (File # 204593)
- Compliant product CSA listed to Low Lead Content Certification Program – Plumbing Products Class 6853-01



*This specification and all information contained herein is the confidential and exclusive property of BrassCraft Manufacturing, and shall not be disclosed to others without the written consent of BrassCraft Mfg. This specification must be returned to BrassCraft Mfg if requested.*

**BrassCraft®**